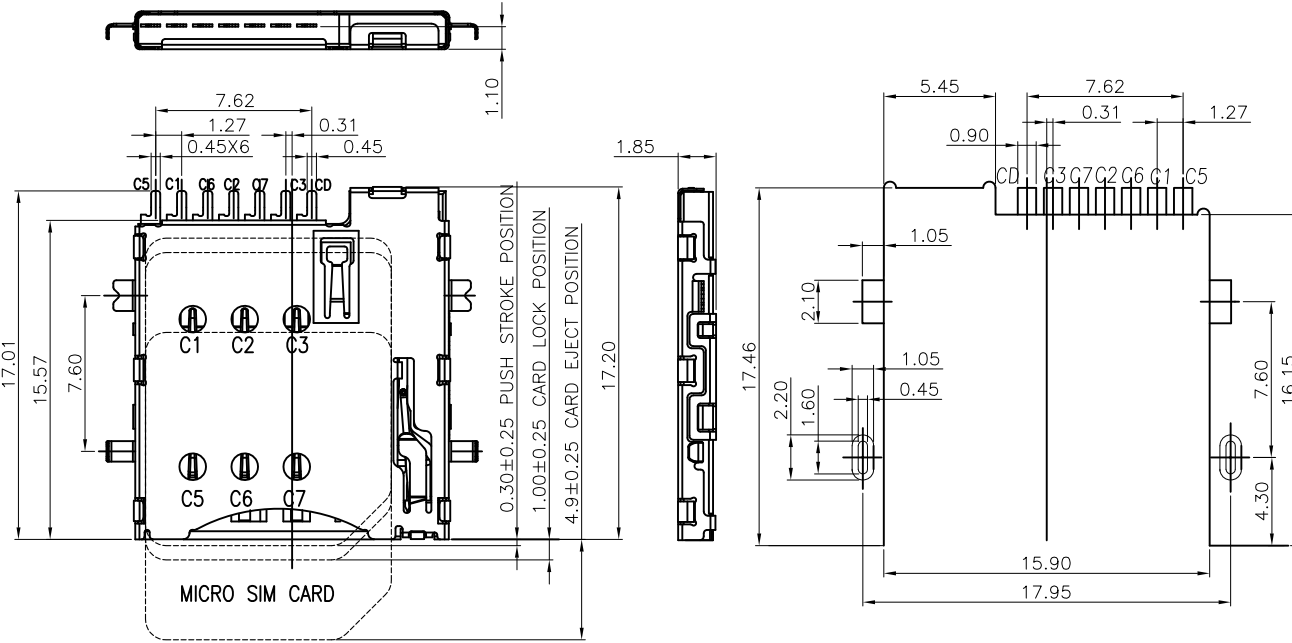


REV.	DESCRIPTION	DATE
A	RELEASE	Apr 15, 2016



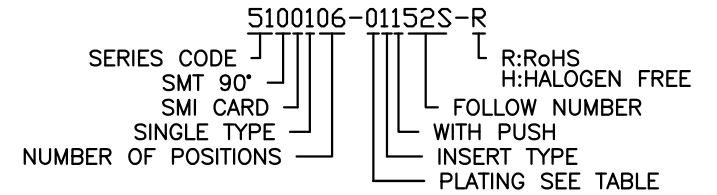
MATERIALS

1. HOUSING : THERMOPLASTIC (UL 94V-0) .
2. TERMINAL : COPPER ALLOY, PLATING SEE TABLE.
3. SHELL : SUS
PLATING : NICKEL PLATED OVERALL.

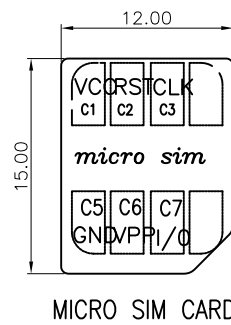
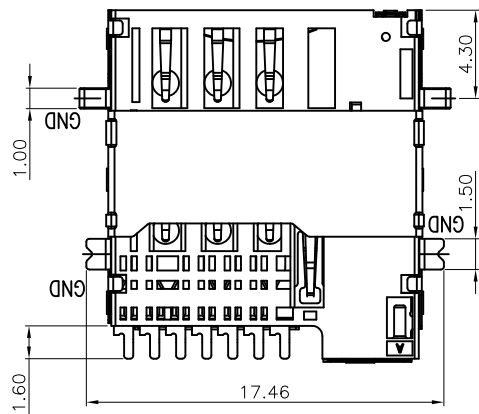
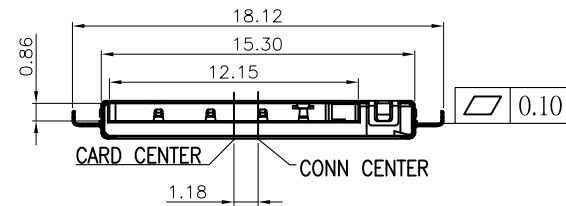
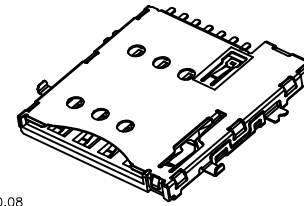
SPECIFICATION

1. CURRENT RATING : 1.0 A. MAX.
2. VOLTAGE RATING : 30V AC/DC.
3. DIELECTRIC WITHSTANDING VOLTAGE :
500V AC R.M.S. FOR 1 MINUTE.
4. INSULATION RESISTANCE : 1000MΩ MIN.AT 500V DC.
5. CONTACT RESISTANCE : 30mΩ MAX.
6. OPERATING TEMPERATURE : -40°C TO +80°C.

PART NUMBER INFORMATION :



RECOMMEND PCB LAYOUT
TOLERANCE: ±0.05
TOP VIEW



SIM pin assignment	
PIN#	Name
C1	VCC
C2	RST
C3	CLK
C5	GND
C6	VPP
C7	I/O

DESCRIPTION OF PLATING ON TERMINALS			
NO.	EXPLAIN	NO.	EXPLAIN
0	GOLD FLASH	3	GOLD 15u"
1	GOLD 5u"	4	GOLD 20u"
2	GOLD 10u"	6	GOLD 30u"

TOLERANCE .0=±0.25 .00=±0.15 .000=±0.05 ANG.=±3°	DRAWER 2/1 CHECK 2/1 APP'D 2/1	INMO 东莞市英墨电子有限公司 INMO Electronics Co.,Ltd
UNITS : mm	PRODUCT SPEC. —	
SCALE NONE SIZE A7	SHEET 1 OF 2 REV. A	NAME MICRO-SIM PUSH/PUSH 6PIN 1.35H带CD PIN (有弹片) 反沉
		DRAW NO. R5100106-01152S-R